

Spur gear hand winch

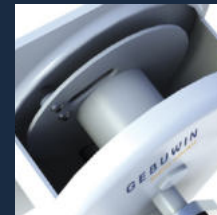
300 – 600 kg

Description of the winch

This convenient spur gear winch excels by its speed. It is equipped with a load-pressure brake with a double ratchet system and a semi-closed housing. In short, a fine, easy winch!

Product specificaties

- > robust and safe lifting winch in compliance with EN13157
- > static safety factor 4
- > high efficiency due to spur gear transmission
- > maintenance free bearings
- > load pressure brake with double ratchet system for safe stable hold of the load in any position
- > cable outlet upwards
- > adjustable crank, with ergonomic grip
- > suitable for wall mounting
- > simple and quick attachment
- > paint thickness is 60 - 80 micron in 1 layer and in compliance with DIN/ISO 12944, C1M - RAL 7035 (grey)
- > corrosion resistant



Options (code)

- zinc-plated finish 6 - 8 micron (EV)
- 2 layers of paint according to C3M (2L)
- ATEX certified zone 2 and 22 (EX)
 - CE II 3G Ex IIC T4 Gc, -20°C<T amb <+70°C
 - CE II 3D Ex IIIC T135°C Dc, -20°C<T amb <+70°C
- custom options possible - [on request](#)

Accessories

- steel or stainless steel wire rope ([p. 55](#))
- pulley block ([p. 57](#))

CE   [Product & instruction video on YouTube](#)



PAVLÍNEK
VÁZACÍ PROSTŘEDKY

Šalounova 746/31
703 00 Ostrava - Vítkovice
www.pavlinek.cz

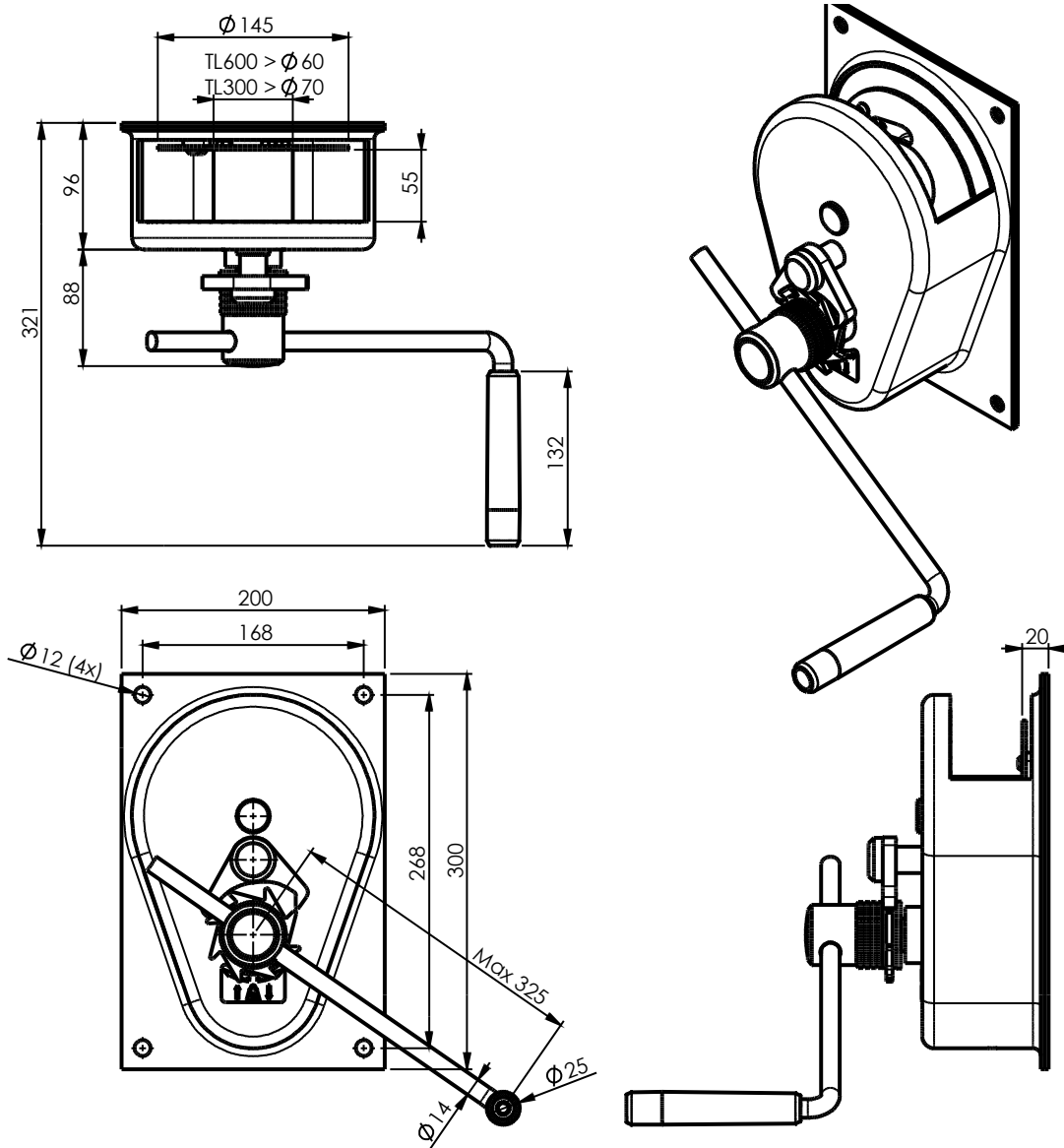
Tel.: +420 595 693 911
Fax: +420 595 693 958
E-mail: obchod@pavlinek.cz

GEBUWIN
quality winches

Industrieweg 6, 7102 DZ Winterswijk, The Netherlands
Telephone: +31(0)543 532600 Email: info@gebuwin.com

For more information, visit: www.gebuwin.com

Technical specifications TL300-600



Technical specifications	Unit	TL300	TL600
Capacity 1st layer	kg	300	600
Capacity 4th layer	kg	234	408
Capacity top layer	kg	172	336
Rope diameter-Ø	mm	4	6
Rope storage 1st layer	m	2,3	1
Rope storage 4th layer	m	12,5	7
Rope storage top layer	m	35,4	12,3
Lift per crank rotation	mm	32	28
Crank effort at full load	daN	5,5	10
Weight (without rope)	kg	10	11
Article number	no.	77121000	77131000